



Whirling Dervish Mystery Quilt

by Kimberly Einmo

Quilt size: 64" x 64"

Skill level: Intermediate

Supply List

Are you ready to make a spectacular new mystery quilt? This one is unique, truly original and a real show-stopper! Whether you've made a mystery quilt in the past or if this is your very first one, you'll love this new design, which features a completely original block design by Kimberly with a surprising, creative twist! While the blocks and setting blocks, themselves are not difficult to piece, you'll be amazed at the dynamic secondary pattern which emerges when the blocks are sewn together! Choose your own fabrics by carefully selecting the color values listed on the supply list. Still not sure of your fabric choices? Take a photo of your fabrics and email it to Kimberly at Kimberly@kimberlyeinmo.com for her expert advice! Kimberly has designed the entire process to be stress-free. The rule of thumb is this: if your fabrics have good contrast, look great when laid out together, and match the values provided on the supply list, they'll look beautiful when sewn together. Come enjoy a fantastic day of stitching in a relaxed and totally encouraging environment!

NOTE: Kimberly will have a few of her specialty rulers to lend in class and new rulers for sale at a discount.

- **EZ Flying Geese Ruler** by Kimberly Einmo
- **EZ Jelly Roll Ruler** or **Precision Precuts Ruler** by Kimberly Einmo
- 45 mm or 60 mm rotary cutter with a new, sharp blade
- Cutting mat (larger than 12" is best)
- Rotary cutting ruler (your favorite size ruler for cutting yardage and strips)
- 50-wt. cotton sewing thread to match your background fabric
- Basic sewing supplies including anything that will make your classroom sewing experience more enjoyable!
- A Post-it® Notes pad
- Ziploc® baggies to store your cut pieces.

Fabric Requirements and Instructions

- Create a legend of your fabrics on the fabric cutting chart. Attach a small piece of each fabric in the square next to the corresponding fabric number. You'll be very glad you took the time to do this!
- Cut your fabrics as directed below prior to class. (*Cut all strips across the WOF, selvage to selvage.*) To keep all your cut strips and fabric pieces organized; put them in Ziploc baggies and label them with the fabric and clue numbers.
- Bring all fabrics and leftover pieces to class!
- You do not need to bring your batting, backing, or binding to class.

Cutting and Preparation Prior to Class

- If you will do a bit of pre-sewing prior to coming to class, you'll be well on your way to completing the quilt top! However, if you cannot sew your pieces before class day, there's a lot to learn and you'll still complete a great deal of the quilt top construction.
- For Clue #1, which is meant to be completed at home, you must choose either the specialty ruler (**EZ Flying Geese Ruler** by Kimberly Einmo) **OR** the traditional method to cut some of your pieces. You may order the ruler at www.kimberlyeinmo.com and instructions are provided so you'll know how to use it. If you would like to see a video demonstrating this technique, please sign up for Kimberly's FREE CRAFTSY class, the 2015 SUMMER Block of the Month at www.craftsy.com. Of course, you don't have to make the quilt and it costs nothing to sign up. Kimberly demonstrates how to use the ruler in to make half-square triangles the first month (July). Part of Clue #5 may also be completed prior to class, but this is optional.

Cutting Chart *Colors listed below in italics are the colors I used for my quilt. Choose **your** favorite fabrics and colors. If you closely follow the VALUES as listed, your quilt will be beautiful!*

Abbreviations used:

EZFG = **EZ Flying Geese Ruler**
EZJR = **EZ Jelly Roll Ruler**

RST = right-sides together
WOF = width of fabric

HST = half-square triangle

LEGEND	FABRIC #	COLOR/ VALUE	YARDAGE	CUTTING INSTRUCTIONS
	1	Multi-color, main print (Blocks and outer border)	1¾ yards	<ul style="list-style-type: none"> • Cut 1 – 4½" strip (if using the EZFG method for HSTs) OR cut 1 – 4⅞" strip. [Clue 1] • Cut 1 – 2½" strip. [Clue 2] • Cut 1 – 2½" strip; subcut 16 – 2½" x 2½" squares. [Clue 3] • Cut 8 – 4½" strips. Set aside for borders. [Clue 6]
	2	LIGHT (Background)	1½ yards	<ul style="list-style-type: none"> • Cut 1 – 4½" strip (if using the EZFG method for HSTs) OR cut 1 – 4⅞" strip. [Clue 1] • Cut 2 – 2½" strips. [Clue 2] • Cut 4 – 4½" strips; subcut 32 - 4½" x 4½" squares. [Set aside 16 for Clue 3 and 16 for Clue 4] • Cut 2 – 2½" strips. [Clue 4] • Cut 2 – 2½" strips; subcut 16 – 2½" x 4½" rectangles. [Clue 5] • Cut 1 – 4½" strip. [Clue 5]
	3	MEDIUM LIGHT	1½ yards	<ul style="list-style-type: none"> • Cut 2 – 2½" strips. [Clue 4] • Cut 2 – 4½" 2 strips; subcut 16 - 4½" x 4½" squares. [Clue 4] • Cut 1 – 4½" strip. [Clue 5] • Cut 3 – 8½" strips; subcut 9 – 8½" x 8½" squares. [Clue 6]
	4	MEDIUM	½ yard	<ul style="list-style-type: none"> • Cut 1 – 2½" strip; subcut 8 – 2½" x 2½" squares. [Clue 3] • Cut 2 – 2½" strips. [Clue 4] • Cut 3 – 2½" strips. [Clue 5]
	5	MEDIUM	½ yard	<ul style="list-style-type: none"> • Cut 1 – 2½" strip; subcut 8 – 2½" x 2½" squares. [Clue 3] • Cut 2 – 2½" strips. [Clue 4] • Cut 3 – 2½" strips. [Clue 5]
	6	DARK	½ yard	<ul style="list-style-type: none"> • Cut 3 – 2½" strips. [Clue 2] • Cut 2 – 2½" strips; subcut 16 – 2½" x 4½" rectangles. [Clue 3]
<i>Not needed for class</i>	Backing		4 yards	<ul style="list-style-type: none"> • Cut 2 panels 37" x 72" and piece for the backing.
<i>Not needed for class</i>	Batting		---	72" x 72"
<i>Not needed for class</i>	Binding		¾ yard	<ul style="list-style-type: none"> • Cut 9 – 2¼" strips for binding.

CLUE 1

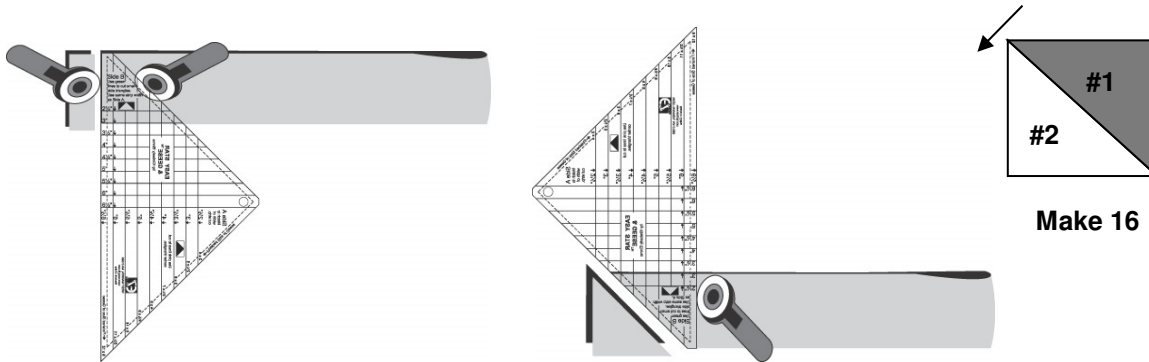
Choose Kimberly's **EZ Flying Geese Ruler** method or the traditional method and cut your strips as outlined in the Cutting Chart above.

Here's what you'll make:

- 16 – 4½" (unfinished) HSTs from fabrics #1 and #2.

EZ Flying Geese Ruler method:

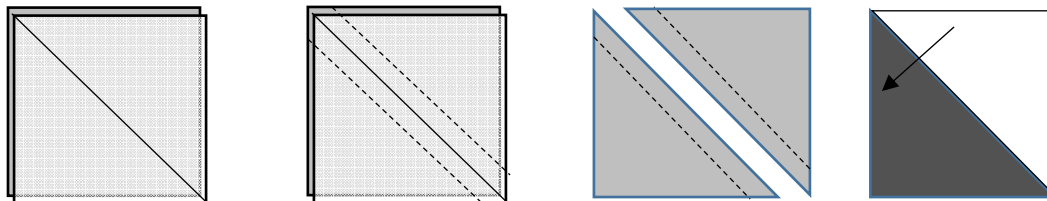
- Place 1 – 4½" strip each of fabrics #1 and #2 RST.
- Use Side B of the **EZ Flying Geese Ruler** to cut 16 – 4½" triangle pairs (32 triangles total) for HSTs.
- Chain stitch the units together on the long edge of the triangles.
- Press the triangle units closed to set the seams; then press seams toward fabric #1.
- Units should measure 4½" x 4½" (unfinished). Trim all dog ears and square-up if necessary.
- Make 16.



OR

Traditional method:

- Place 8 – 4⅞" squares each of fabrics #1 and #2 RST.
- Draw a diagonal line on the back of the fabric #1 square and stitch ¼" on both sides of the diagonal line.
- Cut on the drawn line.
- Press the seams away from the lighter fabric.
- The HSTs should measure 4½" x 4½" (unfinished). Trim the dog ears and square-up if necessary.
- Make 16.

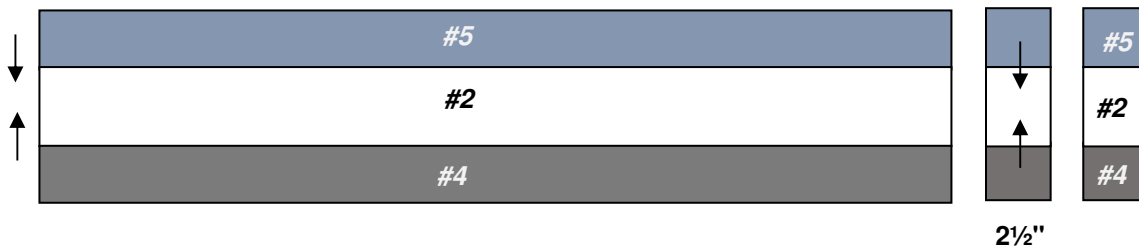


CLUE 5

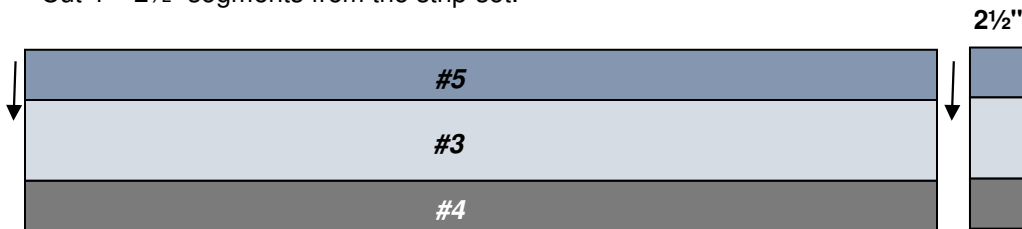
- Sew 2½" strips of fabrics #4 and #5 into a strip-set as shown. Press the seam toward #4. Cut 16 – 2½" segments.
- Make 8 four-patch units using fabrics #4 and #5. Four-patch units should measure 4½" unfinished.



- Sew a 2½" strip of fabrics #4 and #5 on either side of a 4½" fabric #2 strip as shown. Press seams toward #2.
- Cut 12 – 2½" segments from the strip-set.



- Sew a 2½" strip of fabrics #4 and #5 on either side of a 4½" fabric #3 strip as shown. Press seams toward #3.
- Cut 4 – 2½" segments from the strip-set.



- Label the segments and set aside for class.